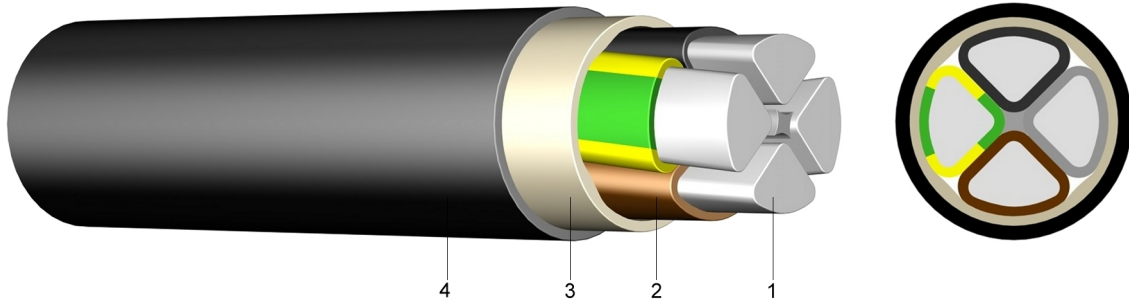


NAYY

PVC Insulated Cable with Aluminium Conductor

Application:

This power cable is suitable for fixed installations, preferably in cable ducts, indoors, outdoors, in water or underground if no mechanical damage is to be expected.



Construction:

- 1 solid (SE) or stranded (RM/SM) aluminium wires
- 2 core insulation of polyvinylchloride (PVC)
- 3 PVC inner sheath (FM)
- 4 outer sheath of polyvinylchloride (PVC), black, UV-resistant

Information:

short circuit temperature at core (max. 5 sec.)
 $\leq 300\text{mm}^2 \rightarrow 160^\circ\text{C}$
 $> 300\text{mm}^2 \rightarrow 140^\circ\text{C}$

Standards:

DIN VDE 0276-603
 HD 603 S1
 DIN EN 60228 class 1 and 2 (construction)
 HD 308 S2 (core identification)

Technical data:

Nominal voltage U_0/U		[V]	600 / 1000 Volt
Test voltage		[V] _{Ac}	4000
Temperature range	in motion		- 5°C till +70°C
	fixed		-20°C till +70°C
Bending radius	single-core style	x diameter	15
	multi-core style	x diameter	12
Flammability	standard		EN 60332-1-2

Number of cores and nominal cross section	Aluminium figure	Overall diameter	Weight	Current carrying capacity ground	Current carrying capacity air
1 x 16 RE	49	11	161		
1 x 25 RM	74	11	174	106	87
1 x 35 RM	103	12	209	127	107
1 x 50 RM	147	14	282	151	131
1 x 70 RM	206	16	363	185	166
1 x 95 RM	279	18	520	222	205
1 x 120 RM	353	19	557	253	239
1 x 150 RM	441	21	674	284	273
1 x 185 RM	544	24	826	322	317
1 x 240 RM	706	26	1.052	375	378
1 x 300 RM	882	29	1.282	425	437
1 x 400 RM	1.200	32	1.598	487	513
1 x 500 RM	1.510	36	2.022	558	600
1 x 630 RM	1.900	40	2.200	635	701

Number of cores and nominal cross section	Aluminium figure	Overall diameter	Weight	Current carrying capacity ground	Current carrying capacity air
mm ²	kg/km	appr. mm	appr. kg/km	A	A
4 x 25 RE	294	27	887	102	82
4 x 35 RE	412	29	796	123	100
4 x 50 SE	588	31	1.017	144	119
4 x 70 SE	823	34	1.312	179	152
4 x 95 SE	1.140	40	1.698	215	186
4 x 120 SE	1.440	42	2.459	245	216
4 x 150 SE	1.764	51	2.594	275	246
4 x 185 SE	2.176	54	3.777	313	285
4 x 240 SE	2.822	60	4.106	364	338
4 x 35 RM	412	29	796	123	100
4 x 50 SM	588	31	1.017	144	119
4 x 70 SM	823	34	1.312	179	152
4 x 95 SM	1.140	40	1.698	215	186
4 x 120 SM	1.440	42	2.459	245	216
4 x 150 SM	1.764	51	2.594	275	246
4 x 185 SM	2.176	54	3.777	313	285
4 x 240 SM	2.822	60	4.106	364	338
4 x 300 SM	3.528	63	5.800	419	400
5 x 16 RM	245	25	858		
5 x 25 RM	383	29	1.214	102	81
5 x 35 RM	536	32	1.453	121	99
5 x 50 SM	781	35	1.855	144	119
5 x 70 SM	1.094	40	2.351	179	152
5 x 95 SM	1.484	45	3.071	215	186
5 x 120 SM	1.875	49	3.631	245	216
5 x 150 RM	2.218	58	4.800	275	246
5 x 185 RM	2.736	62	5.445	313	285
5 x 240 RM	3.530	71	6.950	364	338